



CLINICAL ASSISTANCE GUIDE

WHILL MODEL Ci POWER WHEELCHAIR

Whill Model Ci Power Wheelchair



The new era of personal mobility has finally arrived. The WHILL Model Ci is a revolutionary approach to power mobility that uniquely boosts user confidence and evokes an active, can-do lifestyle. Its premium performance and superb engineering provide versatility and reliability to experience all-day adventures.

A cross between a power wheelchair and a mobility scooter, the Whill Model Ci Power Wheelchair disassembles into three lightweight components for easy transport and storage. It has a tight 76cm turning radius that makes it ideal for turning in tight spaces such as lifts and public transport. Also great for uneven outdoor terrain, it seamlessly navigates obstacles of up to 50mm and gradients of 10° (~1:6 gradient).

The Whill Model Ci Power Wheelchair can be controlled by an iPhone app and comes with a smart key for locking/unlocking. It comes in 2 seat widths and can be adjusted for seat and arm rest height; back rest and seat angle, and seat depth. The metal seat pan can accommodate alternative pressure cushions if required. With a modern sleek and stylish look, the Whill Model Ci Power Wheelchair can be personalised with 7 colour options to reflect the user's personality.

FEATURES

- Smaller footprint than traditional power mobility devices
- Up to a 45% tighter turning radius than tiller operated mobility devices
- Patented front omni-wheels for tight turning and superb terrain coverage
- Large under seat basket to securely store your belongings and groceries
- Equipped with two powerful motors and engineered for superb stability
- Electromagnetic brakes provide safe stopping, even on inclines
- An anti-sway system keeps you driving straight on side slopes
- Model Ci can be easily adjusted from seat height and back support angle to controller position (right or left drive) to create a comfortable driving experience
- Quickly disassembles into three lightweight components for easy transport or storage [View Configuration Video](#)
- Control remotely and manage speed settings with the iPhone and Android app (Android app currently does not offer remote driving capabilities)
- Charge your mobile devices with a built-in USB port.

IDEAL USER CONDITIONS

- The Whill Model Ci Power Wheelchair would suit people requiring mobility support without the need for rehab functions or customisation for pressure area care or postural support. It would suit older users with its simple and intuitive controls and younger users who are looking for a sleek and stylish look to reflect their personality.
- This may include wheelchair use to:
 - Reduce pain or fatigue
 - Improve endurance where there is pain, fatigue, respiratory issues
 - Manage balance and mobility over uneven surfaces
 - Enable community access and social engagement
 - Enable wheelchair transport for local or international travel

CLIENT OUTCOMES

Increased Independence:

- The Whill Model Ci Power Wheelchair can be controlled remotely with an iPhone app enabling the user to summon and position the wheelchair for independent transfers
- The range and clearance of the Whill Ci Power Wheelchair enables local community access from home and easy transition to indoor use for appointments, shopping or social activities

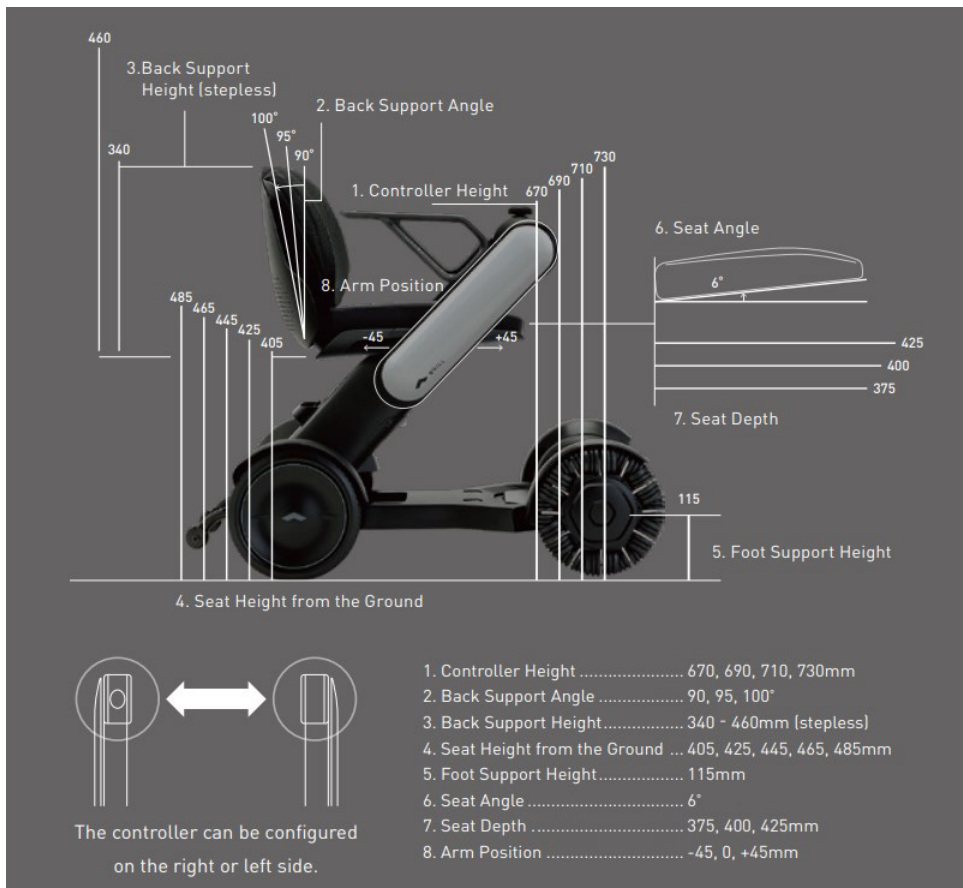
Attendant carer support available when needed:

- The iPhone app enables a carer to drive the power wheelchair from their phone when the client requires assistant e.g., due to fatigue or safety

Enables local community access and holiday travel:

- The tight turning circle allows ease of use for public transport and within lifts and buildings
- Easy disassembly enables the power wheelchair to be broken down into 3 lightweight parts for transport in any vehicle
- For users who can transfer onto a maxi-taxi seat, tie downs enable the power wheelchair to be transported in a Maxi-taxi
- The lithium battery allows up to 16km travel range and speeds up to 8km/hour
- Equipped with two powerful motors and engineered for superb stability, this power wheelchair allows the user to travel effortlessly from indoor activities to navigating outdoor nature trails
- Superb terrain coverage is achieved by:
 - Front omni-wheels that can handle uneven surfaces of up to 50mm in height
 - 50mm ground clearance
 - Front suspension
 - Power to climb inclines with gradients up to 10° (~1:6 gradient)
 - Electromagnetic brakes provide safe stopping, even on inclines
 - Anti-sway system keeps enables straight driving on side slopes and cambers
 - Tight turning circle

SPECIFICATIONS



Model Ci can be easily adjusted from seat height and back support angle to controller position (right or left drive) to create a comfortable driving experience.

SEAT SPECIFICATIONS

Product Code	PWS655300	Seat Width	400mm
Product Code	PWS655300	Seat Width	450mm

PERFORMANCE SPECIFICATIONS

Driving Train	16km	Turning Radius	760mm
Maximum Speed	8km/h	Obstacle Clearance	50mm
Drive Speed	Two Motor Drive System	Ground Clearance	50mm
Incline Capacity	10°	Braking System	Electromagnetic
Controller	WHILL Control System	Max Weight Capacity	114kg

DIMENSIONAL SPECIFICATIONS

Chair Weight	400mm = 50kg 450mm = 52kg	Front Wheel Diameter	9.8"Omni-Wheel
Chair Width	400mm = 500mm 450mm = 600mm	Rear Wheel Diameter	10.5
Chair Length	900mm	Rear Tires	Non-Puncture

OTHER SPECIFICATIONS

Charging Time	5 hours	Operating Conditions	-15° to 40°
Battery Charger	Lithium-ion (25.2V 10Ah)	Tail Lamps	LED Light (Red)
Seat Cushion	16"x16", 16"x18", 18"x18",	Horn	Built-In
USB Port	Single	Lap Belt	Optional

WARRANTY

- Base and Seat Frame: 5 years
- Electronics & Mechanical Components: 3 years
- Batteries & Wheels: 6 months

COMPLIANCE

- AS3695.2:2013

USER MANUAL

- User Manual WHILL Model Ci:
https://whill.inc/us/wp-content/uploads/2018/01/Model_Ci_User_Manual_Web.pdf

MAINTENANCE

Perform the following to keep the device clean:

- If there is significant dirt on the exterior or wheels, either wipe it away with a wet towel or wash it with water.
- If the dirt is stubborn, use a neutral detergent. Avoid the use of petroleum-based detergents.
- Do not use a high-pressure washer.

Caution

- Do not use paint thinner, benzene, or other organic solvents for cleaning, and do not use a high-pressure washer. Doing so may result in discoloration, deformation, deterioration, and damage.
- Do not insert a sharp object into the speaker holes. Doing so may damage the control pad.
- Do not apply commercially available grease or similar substance to the moving parts or connections of the device. There is a risk that the stickiness of such substances may cause sand or other foreign substance to enter the device, causing device malfunction.

LINKS

- Operating the Model Ci:
<https://www.youtube.com/watch?v=8EI-k8zr9nY>
- Configuring the Model Ci for Perfect Fit and Comfort:
https://www.youtube.com/watch?v=Q958T5_Fkys
- WHILL Model C Features Long ver - Personal Mobility:
<https://www.youtube.com/watch?v=Kp-nLM7Shuw>

AIDACARE KNOWLEDGE HUB

Aidacare Website Link:

- WHILL Model Ci Power Wheelchair | Aidacare:
<https://www.aidacare.com.au/products/wheelchairs/power-wheelchairs/whill-model-ci-power-wheelchair/>
- WHILL Model Ci Power Wheelchair Accessories | Aidacare:
<https://www.aidacare.com.au/products/wheelchairs/wheelchair-accessories/general/whill-model-ci-power-wheelchair-accessories/>

PDF Library

- WHILL Model Ci User Manual:
https://whill.inc/us/wp-content/uploads/2018/01/Model_Ci_User_Manual_Web.pdf
- WHILL Model Ci Power Wheelchair Brochure:
<https://www.aidacare.com.au/globalassets/knowledge/resources-page/other-products/whill-power-chairs-brochure.pdf>

Video Library

- WHILL Model Ci - The Greatest Advancement in Personal Mobility:
<https://youtu.be/UK4JSbcI544>