



ACTIVE AIR[®] 8 with turnassist USER MANUAL

ALTERNATING MATTRESS REPLACEMENTS INCLUDE:

- Single (PTM639400T)
- King Single (PTM639410T)



Thank you for choosing this Aspire Active Air Acute 8 Alternating Mattress Replacement.

It is important that you read this user manual carefully before using your new mattress replacement.

TABLE OF CONTENTS

1. Introduction	5
2. Safety Precautions	7
3. Product Safeguards	8
4. Product Overview	9
5. Assembly & Setup	10
6. Operation	14
7. Product Specifications	23
8. Cleaning	24
9. Maintenance & Storage	25
10. Troubleshooting	26
11. Warranty & Service	27
12. Service Log Book	28

SYMBOLS USED IN THIS MANUAL

The symbols below are used throughout this user manual and on the product to identify warnings and important information. It is important to understand the symbols used, if you have further questions please contact your Aspire dealer or Aidacare Customer Service on 1300 133 120.



WARNING! Indicates a potentially hazardous condition/situation. Failure to follow designated procedures can cause either personal injury, component damage or malfunction. On the product, this icon is represented as a black symbol on a white triangle with a black border.



ALWAYS! These actions are mandatory. Failure to perform mandatory actions can cause personal injury and/or equipment damage. On the product, this icon is represented as a white infinity symbol on a black dot with a white border.



DO NOT! These actions are prohibited. These actions should not be performed at any time or in any circumstances. Performing a prohibited action can cause personal injury and/or equipment damage. On the product, this icon is represented as a white symbol with a black circle and black slash.



Range is 30-250kg

PATIENT WEIGHT RANGE. This represents the range within which the mattress replacement provides effective pressure redistribution outcomes. Patient weight should **NOT** fall outside this range at any time as this may void warranty and/or produce ineffective patient support outcomes.

1. INTRODUCTION

The Aspire Active Air Acute 8 (hereafter referred to as the Product) is an electrically operated Alternating Mattress Replacement offering a suite of features for a patient at high to very high risk of pressure injury. Ease of use, functionality, serviceability and cleaning practicality are key features of this Product.

Clinical Applications and Area of Use

This Alternating Mattress Replacement is appropriate for adult patient care and should only be used under the instruction of a carer or health professional where concerns exist around patient safe use.

Intended Use

This product is intended to help and reduce the incidence of pressure injuries while optimising patient comfort. This product may be used in a variety of environments including, but not limited to in home care, aged care and hospital.

Product Description

This product is an Alternating Mattress Replacement System used in the prevention and relief for patients with, or vulnerable to, pressure injuries. This product offers patients a comfortable and relaxing support surface by using the established principles of alternating therapy, which can both prevent skin breakdown and enhance healing.

The pump features a digital pressure adjustment function, mode selections and audiovisual alarms.

The mattress features a multi-stretch PU coated fabric cover (with high MVTR) along with 20 x alternating air cells, 4 x static head cells and a rapid release twist CPR valve for use in the event of a CPR emergency.

The mattress features the turnassist Integrated turning function which allows for safe movement and repositioning of a user, reducing the WHS impact on care workers.

Key Features

- Patient weight range of this mattress replacement is 30-250kg, this should not be exceeded at any time.
- 1 in 3 alternating air cycle provides acute level therapy for maximum pressure redistribution and wound management whilst maximising the comfort to cell pull-off ratio.
- **turnassist** - Easy to operate valves located on the side of the mattress (at the foot end) engage lateral turning through integrated air cells. This function drastically reduces the WHS impact on care workers.
- **AutoLock** - The control panel automatically locks if not touched for 30 seconds preventing accidental changes to modes and settings.
- **AutoProtect** - When the head of the bed is raised to 25° or more, air pressure automatically increases by +10mmHg. When the head of the bed is raised to 45° or more, air pressure automatically increases by +15mmHg to prevent bottoming out.

- **AutoDetect** - Based on the patients weight and size, appropriate pressure output is automatically set, ensuring optimal care and protection.
- **24 Hour Transport** - In the event of a power failure, patients can remain on the inflated surface for up-to 24 hours.
- **Easy-to-read LCD** - Clear LCD screen provides concise information on cycle time selections, as well as operating mode and fault conditions.
- **Multi-stretch, Vapour Permeable Cover** - Easy to clean cover is multi-stretch and breathable, reducing friction and shear whilst optimising skin microclimate.
- **Welded Seams & Zip Protection** - Prevents fluid and bacterial ingress into the system, facilitating stringent infection control measures.
- **Rapid Release CPR** - Allows quick deflation for cardio-pulmonary resuscitation in emergency situations.
- **Audible & Visual Alarms** - Activate immediately if a problem occurs, maximising peace of mind and reducing patient risk.
- **Variable Speed Pump** - The pump automatically runs at the minimum speed required for effective pressure care to reduce vibration and noise which improve patient sleep quality.
- **Variable Cycle Times** - A choice of 10, 15, 20, 25 or 30 minute cycles to meet the needs and comfort requirements for a wide range of patients.
- **Simple Cell Connections** - O-ring connections make maintenance hassle and tool free.
- **Hassle Free Pump Maintenance** - Modular Pump design ensures Pumps can be serviced and returned to use quickly minimizing downtime.
- **Power Cord Protection** - L shaped connection coupled with the protector function, significantly reduce the risk of the power cord becoming loose and getting damaged.
- **Cable Management** - Power cable retainer loops offer effective cable management for the removal of trip hazards and cable damage.
- If placed in static mode, the system will revert to alternating mode after 20 minutes ensuring maximum patient protection and pressure management.
- Cell retention band prevents the inadvertent movement or separation of the cells that could lead to friction and shear.

2. SAFETY PRECAUTIONS

It is **IMPORTANT** that this user manual is read entirely prior to operating this product. The document is designed to ensure that operators are equipped with the information required to competently and responsibly operate the mattress replacement and pump.

It is recommended that the user manual be kept in an easily accessible place for quick reference. If required, Aidacare product specialists can provide additional training.

All **WARNINGS** and **CAUTIONS** within this document should be strictly adhered to. Failure to do so could result in harm to the patient or operator.

CAUTIONS highlighted throughout this document identify possible hazards in procedures or conditions, which if not followed correctly could result in equipment damage, or failure.





WARNINGS highlighted throughout this document identify possible hazards in procedures or conditions which if not followed correctly could result in serious injury, or fatality.

General

- Electrical equipment can be hazardous if used incorrectly.
- Residual current devices (RCD) are not supplied with the Product. Please consult with your Biomedical Engineer/advisor concerning RCD requirements.
- The clinically qualified person responsible should consider the age, size and condition of the patient before using the Alternating Mattress Replacement.
- The maximum safe working load of the Product is 250kg with a safe patient range of 30-250kg.
- This replacement is not to be used on top of a pre-existing support surface. This is a Mattress Replacement so there is no need for a static foam mattress or pressure safety underlay to be located underneath, this replacement can go directly onto the bed platform.

3. PRODUCT SAFEGUARDS

SAFEGUARD	DESCRIPTION
 <p>WARNING</p> <p>Maximise Electrical Safety</p>	<ol style="list-style-type: none"> 1. Patients should not operate the product at any time. Always ensure that the Pump is unplugged when not in use. 2. Do not disassemble the pump at any time. 3. Do not place or store the pump close to water or any other liquid. 4. Do not submerge the pump in water or any other liquid. 5. Do not make contact with the pump if it has come into contact with water or any other liquid. BEFORE touching the pump or any associated components ensure that mains power has been cut off.
 <p>WARNING</p> <p>Safe use for carers and patients</p>	<ol style="list-style-type: none"> 1. The mattress replacement must be operated by connecting it to the pump ensuring that it is not turned off or unplugged whilst in use. 2. Always ensure that warning labels are adhered to ensuring that voltage is correct, approved power cords are used and that Children & Animals do not come into contact with the packaging materials that could cause suffocation. 3. Equipment is not suitable to be used in the presence of a flammable anaesthetic mixture with air, oxygen or nitrous oxide. 4. Keep away from sharp objects. 5. Close supervision is necessary when this Product is used by, on, or near children or people with disabilities. 6. Use this Product only for its intended use as described in the user manual. Only use this product with Aidacare approved accessories and attachments. 7. Do not operate this product if the pump has a damaged power cord or plug, plug is not working properly, has been dropped or damaged or dropped/submerged into water or another liquid. If this occurs, contact your Aspire dealer immediately for a product inspection. 8. Keep the power cord away from hot surfaces. 9. Do not block the air valves/tubes/openings by placing on a soft surface such as a bed or couch. Keep all valves/tubes/openings responsible for air flow, clear of all lint, hair and other particles. 10. Do not insert any object into the air valves/tubes/openings. 11. Avoid dropping pump and do NOT mount any heavy objects on top of it. 12. Place the power cord and air hoses at the patient's foot area to avoid strangling of the patient's neck. 13. Avoid electromagnetic interference by ensuring that electro-magnetic or RF generated equipment is kept away from the patient. 14. Over the course of operation, the pump will generate a small amount of heat. Do not maintain skin contact with pump for more than 1 minute at a time. Never cover the pump when it is in use, ensure air flow to pump is free at all times. 15. During a power outage or loss (even if only temporary) the pump will stop and power failure alarm will sound for up to 20 seconds. The pump will return to normal operation once the power supply is resumed. 16. Connect this product to a properly grounded outlet only. 17. Avoid the risk of electrocution by grounding the ground pin with grounding power outlet. 18. The EMC specification is compliant with all regulations and requirements. For power leads with a ground pin, the connection with properly grounded power outlets will suppress the EMC effect. The pump will work correctly for power leads that are not grounded. 19. Connecting auto-detection should only be performed by the operator and not the patient.

4. PRODUCT OVERVIEW

This Alternating Mattress Replacement has been designed for the Hospital and Acute Care environment. Please take the time to familiarise yourself with the key components shown below:



5. ASSEMBLY & SETUP

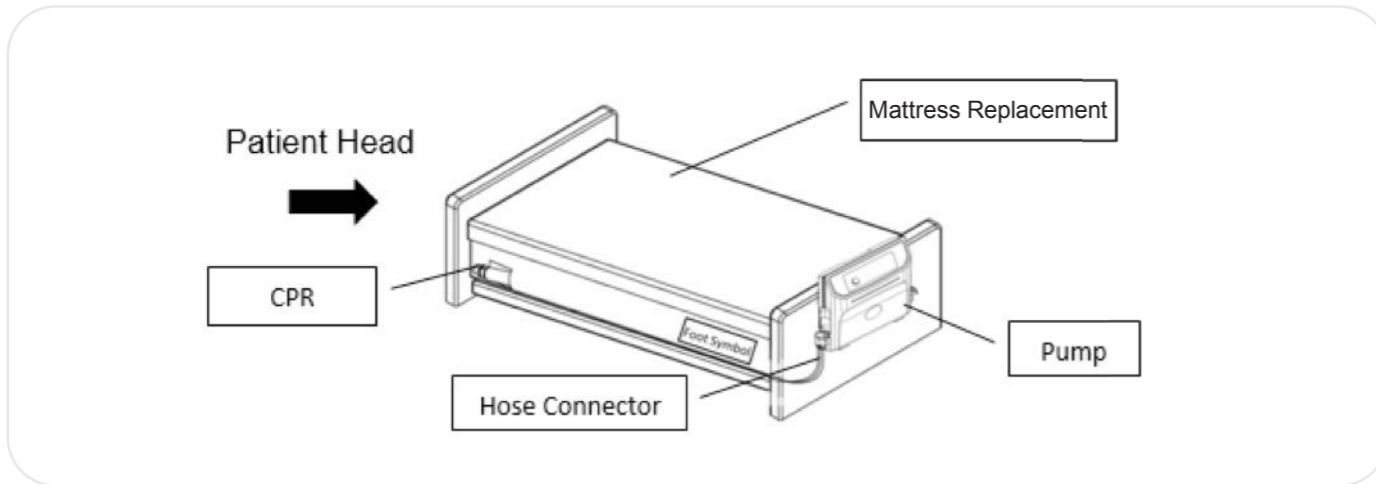
Box Contains:

1. Digital Mattress Pump
2. Mains Power Cable
3. Mattress Replacement
4. Transport Carry Bag
5. User Manual

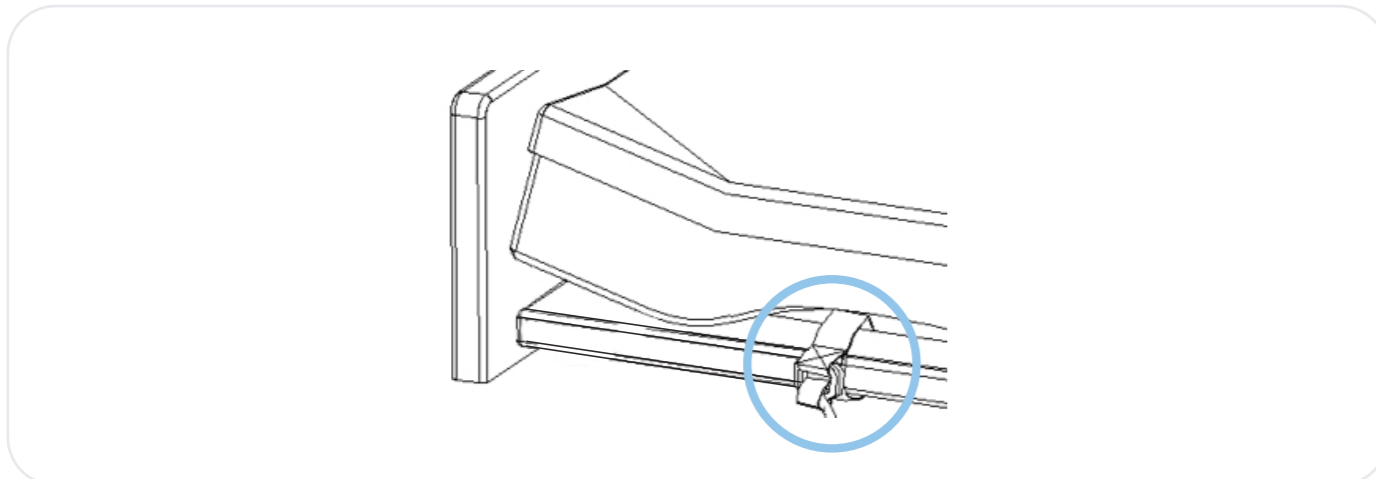


When opening the carton, ensure it is done in a safe and careful manner. **DO NOT USE** a box cutter or sharp implement as this may damage the product.

1. Position the Mattress Replacement directly onto the mattress platform, ensuring that there is no foam mattress or pressure safety underlay underneath. Ensure the air Pump hose is towards the **FOOT END** of the bed so it lines up with the Pump.



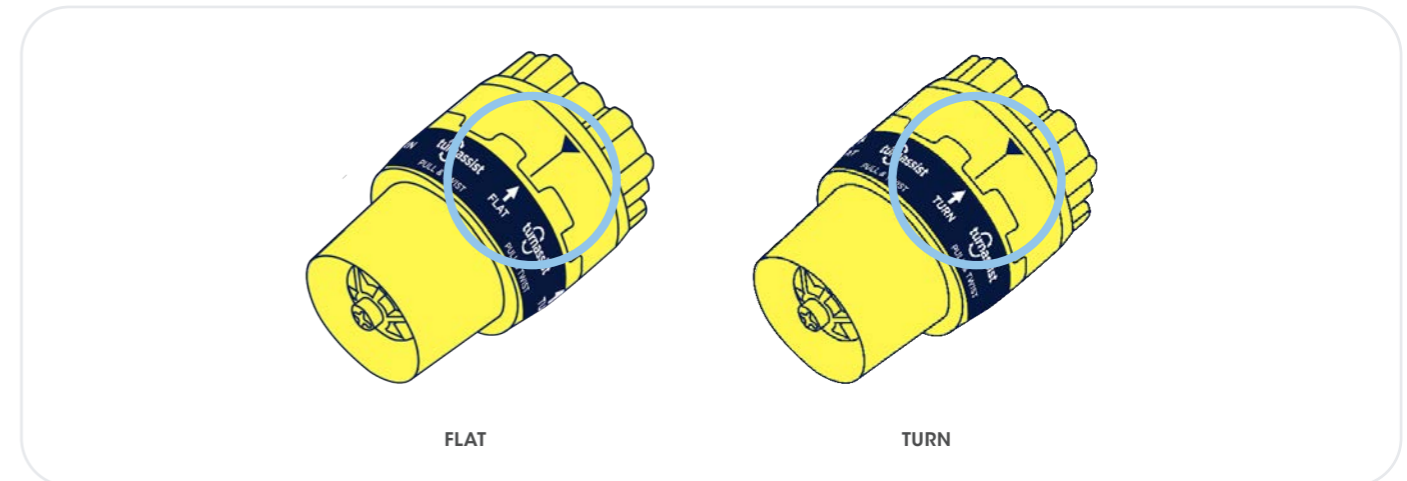
2. Secure the mattress replacement onto the mattress platform by fastening and securing the nylon straps and plastic buckles.



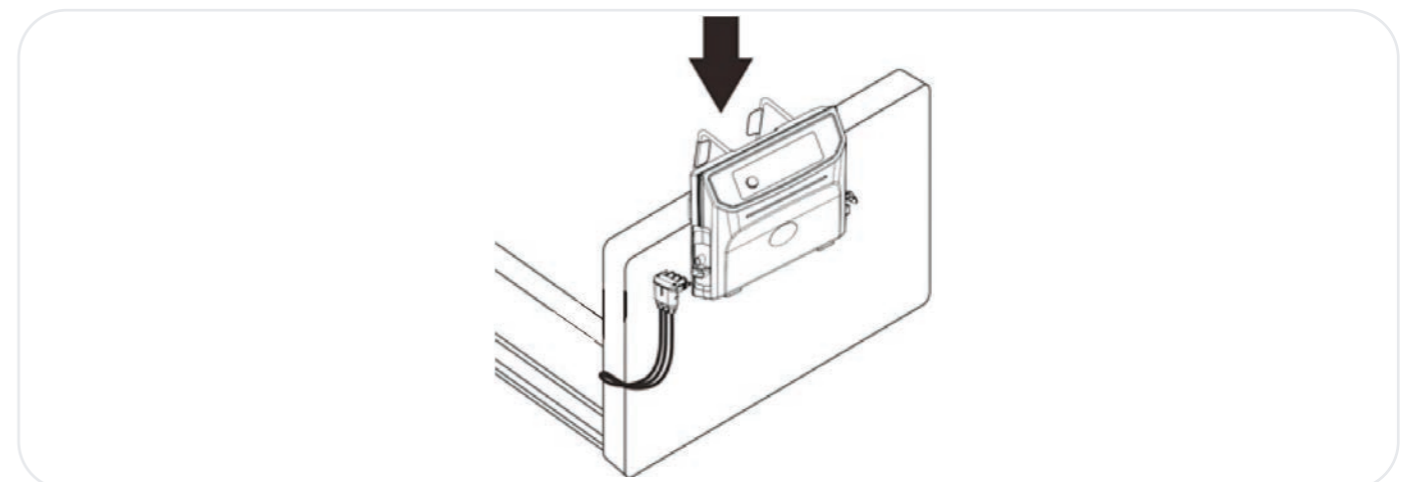
3. Ensure the CPR valve is at **CLOSE** position.



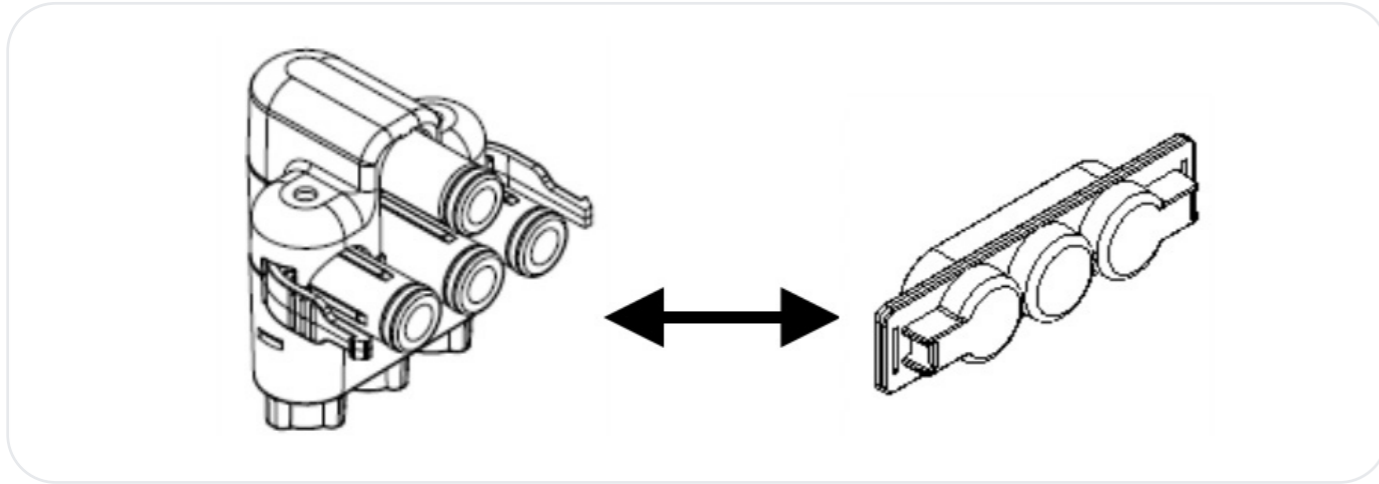
4. Ensure the turnassist valves are at **FLAT** position.



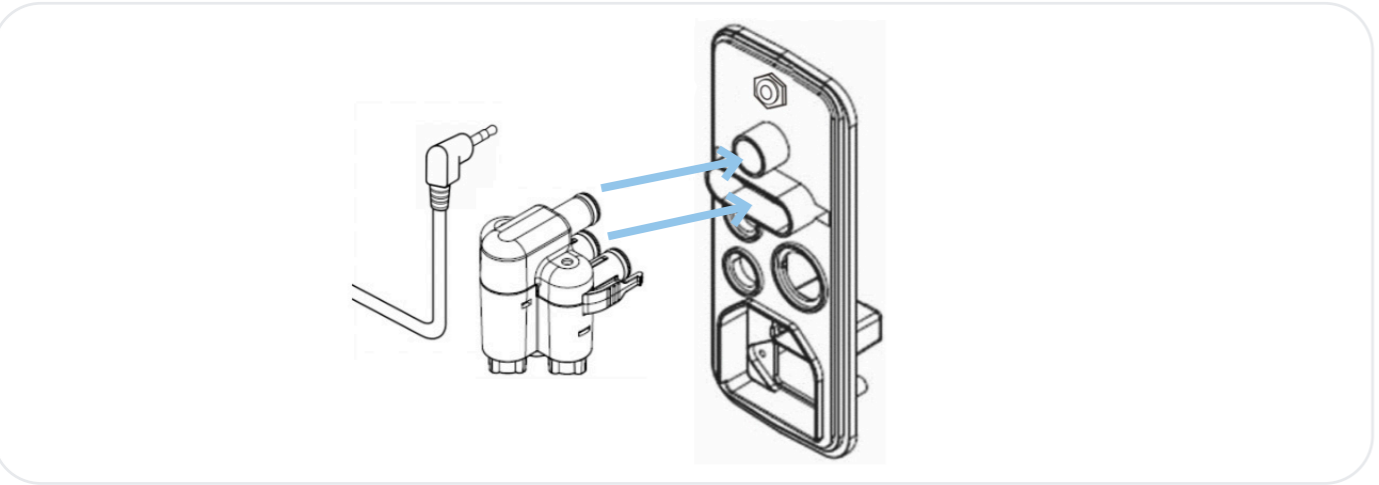
5. Position the pump on the **FOOT END** of the bed end. The spring hanger bracket assembly will self-adjust onto the footboard to secure it in place.



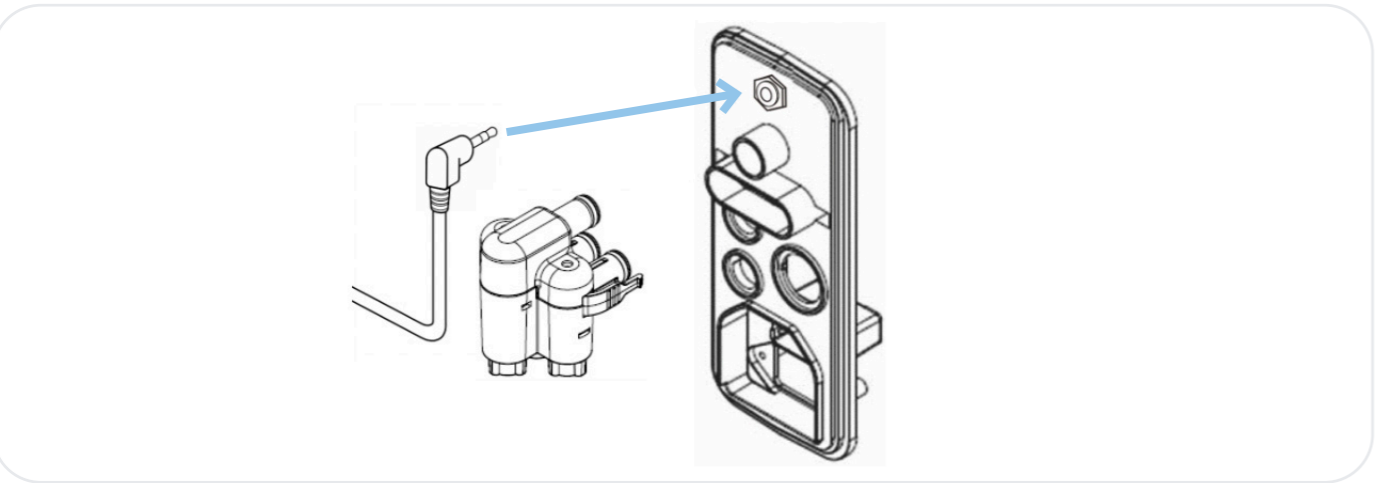
6. Remove the plastic protector cap from the end of the air hose.



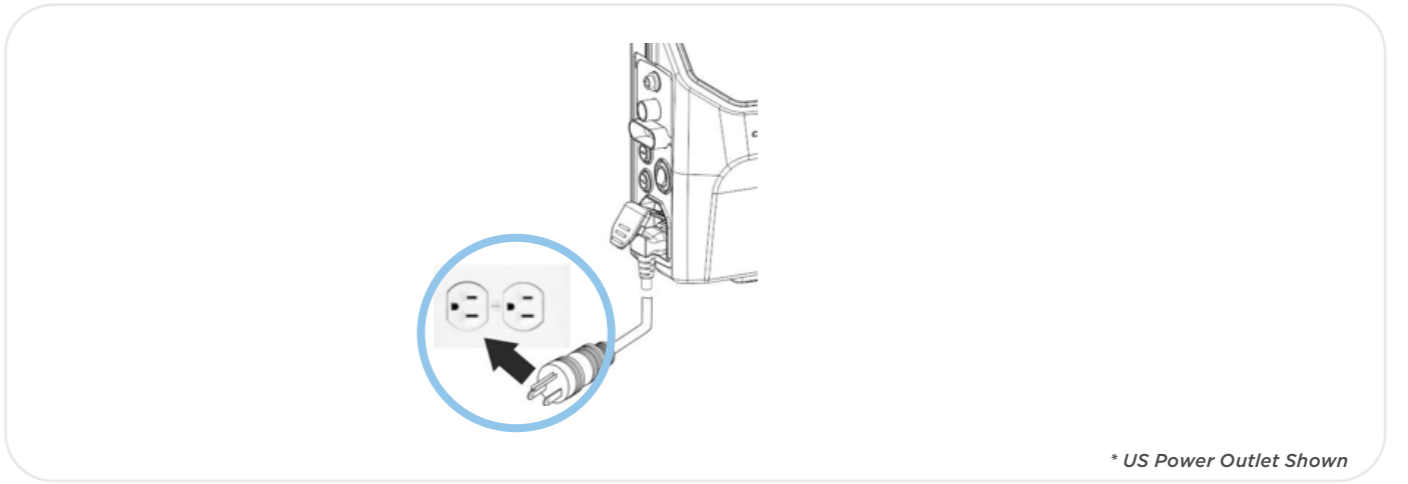
7. Firmly push the hose connector into the side of the pump unit until a notable 'click' sound is heard.



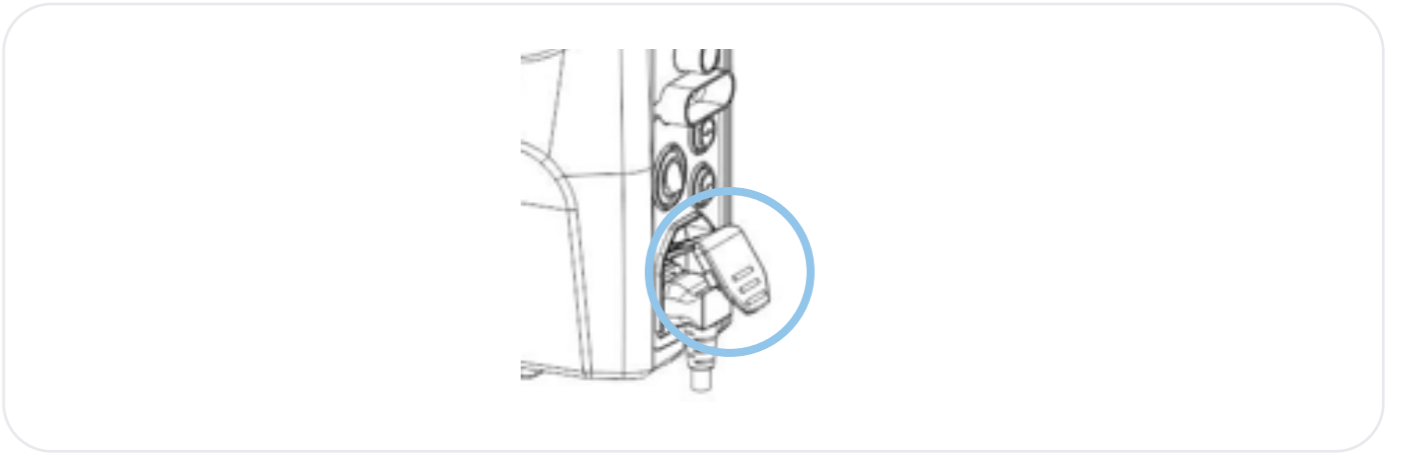
8. Insert 3.5mm sensor cable plug into the pump interface panel jack.



9. Connect the mains power cable to the pump ensuring that the power switch remains switched **OFF**.



10. Press down in the L shape power cord protector to secure the power cord in place.



11. Plug the mains power cable into the electrical power socket.

12. Set mode suitable for patient, (Refer to **OPERATION** for further details on how to adjust the Mattress Replacement).



WARNING! DO NOT place the Pump in an area where the power cord can become pinched or stuck.

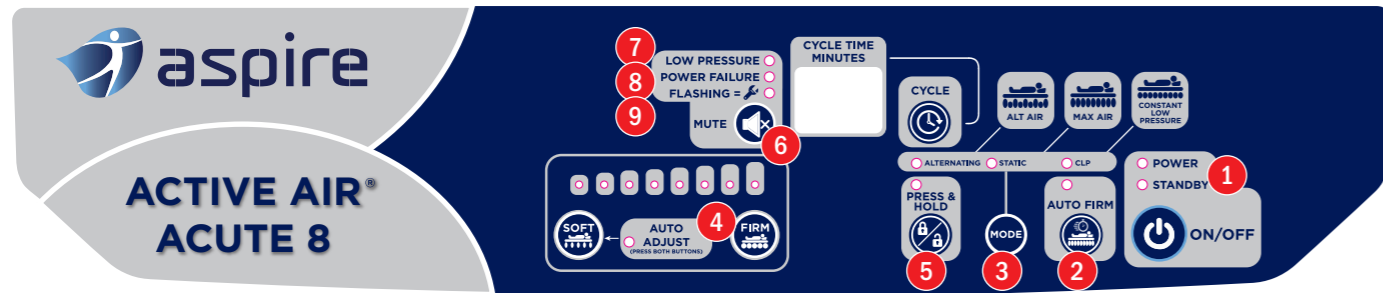


WARNING! The digital pump is only to be used with the Aspire Lifecomfort Active Air Acute 8 and not any other system.

6. OPERATION

Various modes can be set on the digital pump to ensure maximum comfort and pressure redistribution for the patient.

Adjustment Control Panel Operation

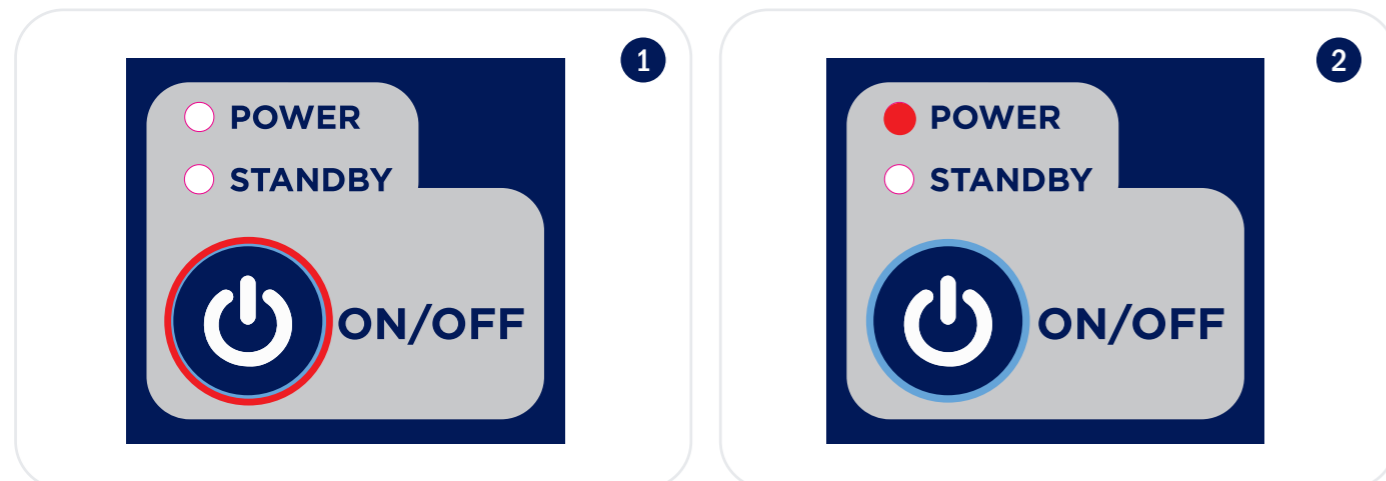


- | | | |
|---|----------------------------|---------------------------|
| 1 Power On/Ready for Use | 5 Function Lock Out | 9 Service Required |
| 2 Auto Firm | 6 Mute | |
| 3 Pressure Mode Adjustment | 7 Low Pressure | |
| 4 Automatic Pressure Adjustment For Specific Patient | 8 Power Failure | |

Power On/Ready For Use

The power switch for the Pump is located on the side of the Pump.

1. Turn on the power switch on the side of the pump, then press the **ON/OFF** button on the control panel.
2. The 'POWER' LED will illuminate and inflate to normal pressure (**This will take up to 20 minutes**).



Function Lock Out

Carers can lock out functions to ensure these are not accidentally toggled, impacting the operation of the mattress for the particular patient.

1. Press and hold the function lock out button until the LED light is illuminated. When illuminated the functions are locked out.
2. To reverse this process, press and hold the function lock out button until the LED light is OFF. When LED is OFF all functions are unlocked.
3. Lock out function will occur after 30 seconds if the panel is not toggled or pressed.



Auto Firm

This feature allows the mattress replacement to inflate to maximum pressure automatically, specifically beneficial for patient ingress, egress and meal time. It can also be used as a tool to completely inflate the mattress.

1. Press the **AUTO FIRM** button down, LED light will start flashing and the mattress will start to firm to maximum level where LED light will be fully illuminate.
2. Once the maximum level of pressure is reached, the pump will automatically switch into the previous selected mode and comfort level after 20 minutes.

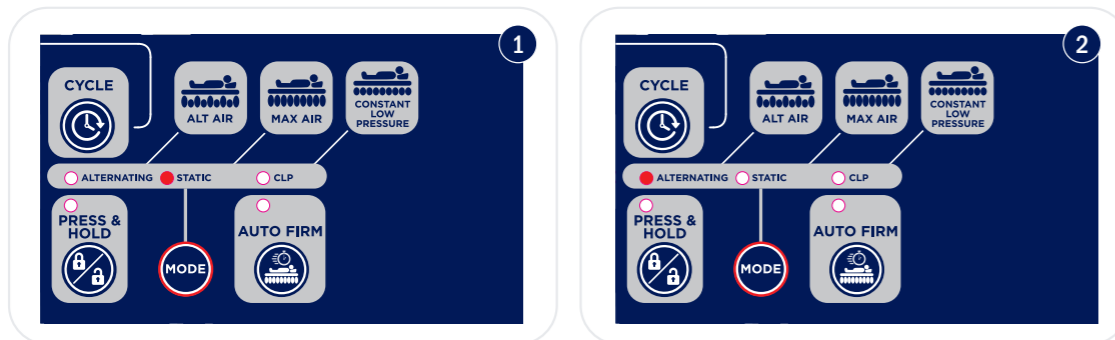


Pressure Mode Adjustment - Static, Alternating & Constant Low Pressure

Static Mode

This function stops the mattress from alternating and maintains the set pressure level for a duration of 20 minutes before defaulting back to the previously selected alternating mode.

1. Press MODE button until the '**STATIC**' LED light is illuminated.
2. This function will only work once "Auto Firm" is off.
3. Static mode will automatically fall back to '**ALTERNATING**' mode after 20 minutes.



Alternating Mode

This function alternates the mattress cells at different time intervals.

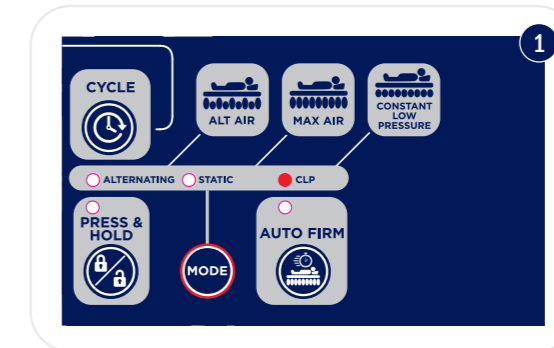
1. Press MODE button until the '**ALTERNATING**' LED light is illuminated.
2. Toggle the alternating cycle times (10, 15, 20, 25 or 30 minutes) by pressing the 'Cycle' button, the cycle time will be displayed on the LED screen.



Constant Low Pressure

CLP mode offers an immersion low pressure surface operating between 15mmHg to 29mmHg depending on comfort settings chosen.

1. Press the **MODE** button until the **CLP** LED light is illuminated.



NOTE: The below table indicate the suggested CLP pressure according to the patients weight. This is intended as a guide only as patient body shapes vary.

COMFORT CONTROL INDICATORS		Mode/Output Pressure (mmHG)			PATIENT WEIGHT RANGE (KG)							
		Alternate	Static	CLP	30	60	80	100	125	160	200	250
●●●●●●●●●●	●●●●●●●●●●	15	15	15								
●●●●●●●●●●	●●●●●●●●●●	20	20	17								
●●●●●●●●●●	●●●●●●●●●●	25	25	19								
●●●●●●●●●●	●●●●●●●●●●	30	30	21								
●●●●●●●●●●	●●●●●●●●●●	35	35	23								
●●●●●●●●●●	●●●●●●●●●●	40	40	25								
●●●●●●●●●●	●●●●●●●●●●	45	45	27								
●●●●●●●●●●	●●●●●●●●●●	50	50	29								

Comfort (Pressure) Adjustment

1. Press the **FIRM** button to increase pressure.
2. Press the **SOFT** button to decrease pressure.



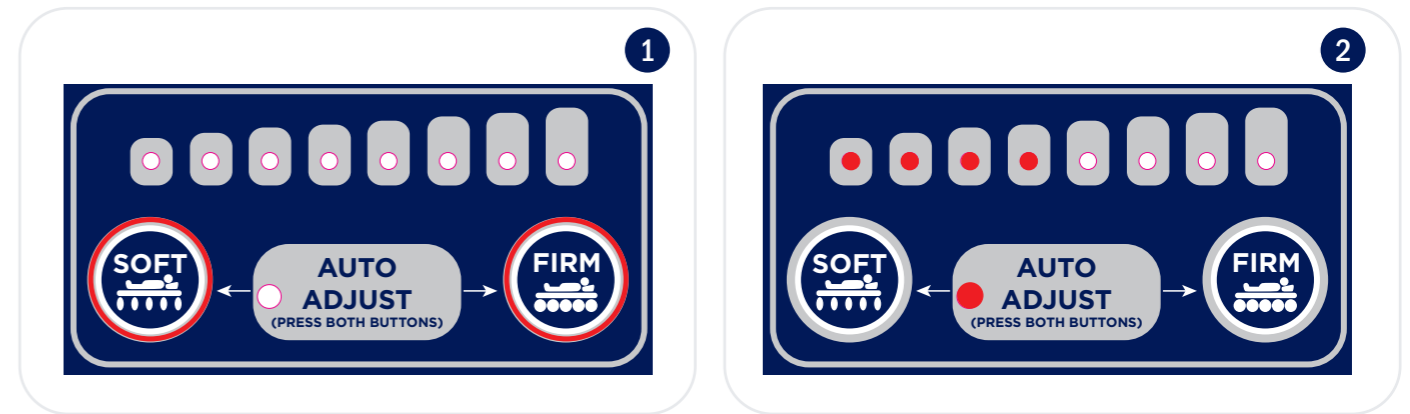
NOTE: The below table indicates the suggested pressure according to the patients weight. This is intended as a guide only as patient body shapes vary.

aspire		PATIENT WEIGHT GUIDE							SWL 250KG
COMFORT CONTROL INDICATORS	PATIENT WEIGHT RANGE (KG)								
	30	60	80	100	125	160	200	250	

Auto Adjust

Correct pressure levels are automatically set (dependent on patient weight) when activating the Auto Adjust feature. **Patients with unusual body shapes may require manual pressure adjustment.**

1. Press and hold down the **SOFT & FIRM** buttons, the LED light will flash and start detecting correct pressure
2. Once adjusted, the LED light will stop flashing and will remain illuminated indicating the pressure has been adjusted for the specific patient
3. The mattress pressure can be manually adjusted should the patient desire a different comfort level



Auto Protect

Additional air is pump under the mattress pelvic region when the bed backrest angle is raised to prevent patient bottoming out. This is also referred to as a Fowler Function.

1. Auto protect activates when the bed backrest angle exceeds 25°, at this point an additional 10mmHg of pressure is provided by the pump. This additional pressure increases to 15mmHg once bed backrest angle exceed 45°.
2. Once the backrest angle falls back to under 25° or 45° of elevation, the pump will revert to the previous mode/setting.

Mute

1. Press mute button to nullify all alarms from the pump.
2. If issue is not rectified, the mute button will automatically disable and the alarm will reactivate. This is a safety function to ensure a prompt response when an issue or fault occurs.



Low Pressure

If correct pressure is not achieved for the patient, the **'LOW PRESSURE'** LED light will illuminate and an alarm will sound.

1. If the pump senses low pressure, the **'LOW PRESSURE'** LED light will illuminate and alarm.
2. Refer to the Troubleshooting sticker on the base of the pump to identify potential solutions. If the issue persists contact your Aspire dealer or Aidacare Customer Service on 1300 133 120.



Power Failure

1. If the pump senses a power failure, the **'POWER FAILURE'** LED light will illuminate.
2. Refer to the Troubleshooting sticker on the base of the pump to identify potential solutions. If the issue persists contact your Aspire dealer or Aidacare Customer Service on 1300 133 120.



Service Required

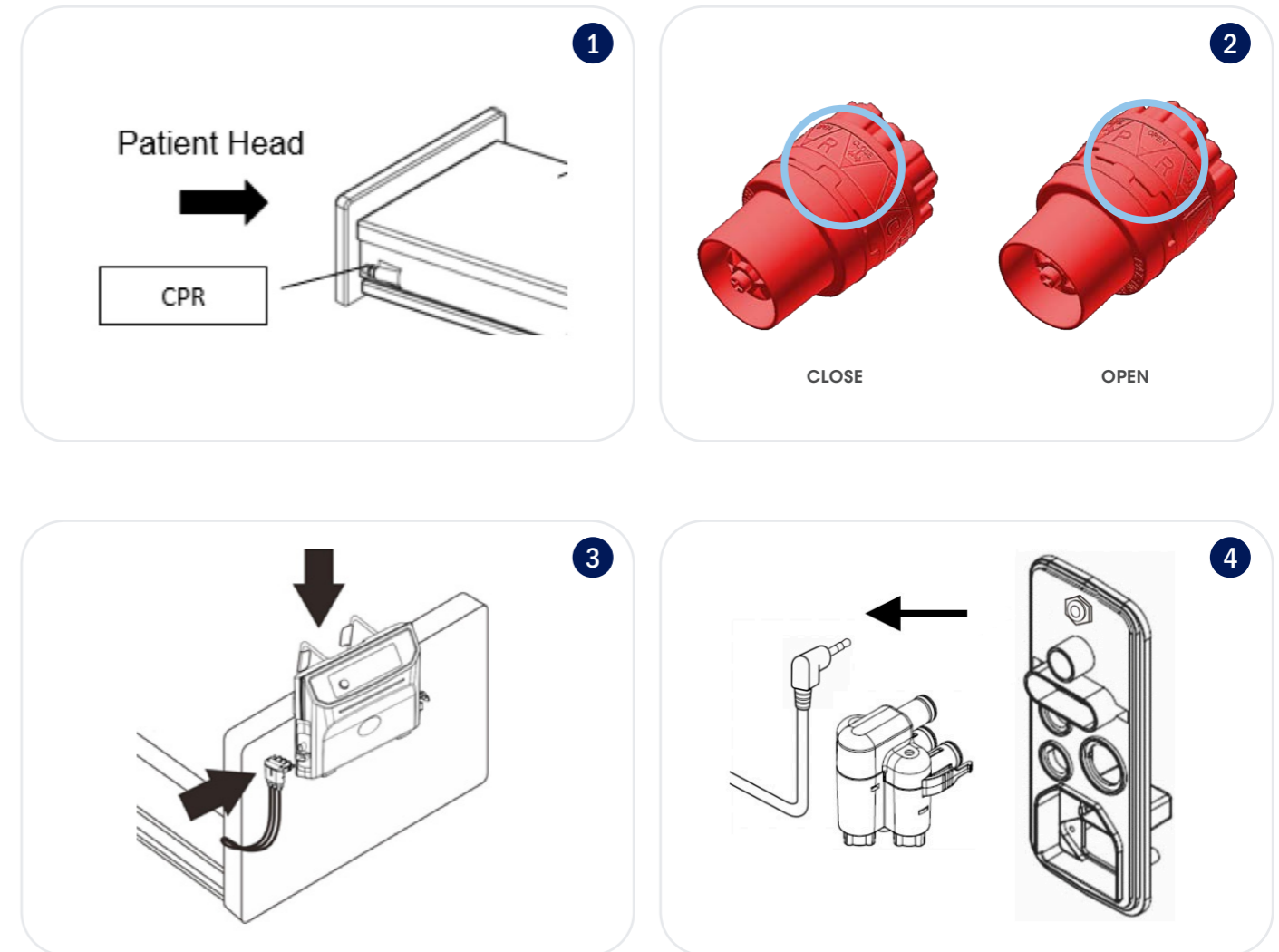
1. If the pump senses a fault or issue, the service LED light will illuminate.
2. Refer to the Troubleshooting sticker on the base of the pump to identify potential solutions. If the issue persists contact your Aspire dealer or Aidacare Customer Service on 1300 133 120.



General Operation

CPR

1. Locate the CPR valve at the **HEAD** end of the bed.
2. Open the CPR valve by pulling and twisting the cylinder to the **RIGHT** to the **OPEN** position.
3. Locate pump hose and disconnect from the pump.



7. PRODUCT SPECIFICATIONS

General Operation

turnassist

engaged by a turning valve which turns the mattress up to 40 degrees, reducing the WHS effort required by a carer to move and/or reposition a patient.

1. Press Auto Firm Button on pump.
2. Initiate turnassist by 'pulling & twisting' yellow valve on the desired side of the bed. The patient will begin to turn laterally to side chosen.

NOTE: Turn indicated is the direction in which the patient moves.

NOTE: Turn takes 30secs to 1min, dependant on patient weight.

3. Reposition or attend to patient as necessary.

NOTE: Encourage patient to hold onto side rail (if fitted to bed)

4. Close turnassist valve to return mattress back to flat position.



Pump	
Dimensions (W x D x H)	420 x 230 x 130mm
Weight	4.6kg
Cycle Times	10/15/20/25/30 minutes
Static Time	20 minutes
Auto Firm Time	20 minutes
Pump unit Output Pressure Range (mmHg)	15 - 50 (±5)
Voltage	AC230 V 50Hz
Current	0.23 AMAX (@253V-)
Fuse Rating	T1AL 250VAC
Frequency	50 Hz (230V)
Classification	Class II
	Type BF
Operation Environment	5- 40°C
	15% - 90% Relative Humidity (no condensation)
Storage Environment	-25 ~ 70°C
	90% Relative Humidity (no condensation)
Environment Pressure (kPa)	70 - 106
Environment Horizontal Altitudes	≤ 3000m
Water and Dust Protection Classification	IP21

Mattress Replacement - SINGLE	
Dimensions (L x W x H)	2000 x 900 x 200mm
Weight	10.5kg
Cell Material	TPU
No. of Air Cells	24
Cover Material	Multi-stretch PU coated fabric with high MVTR
Bottom Material	Polyester-PU
Max Weight	250kg

Mattress Replacement - KING SINGLE	
Dimensions (L x W x H)	2000 x 1050 x 200mm
Weight	11.5kg
Cell Material	TPU
No. of Air Cells	24
Cover Material	Multi-stretch PU coated fabric with high MVTR
Bottom Material	Polyester-PU
Max Weight	250kg

8. CLEANING

To ensure all infection control protocols are strictly adhered to, it is extremely important to follow the below steps to keep the product clean at all times.

Pump

- Wipe with a damp cloth that has been pre-soaked with a mild detergent.
- Ensure pump is kept free of dust and other particles.



DO NOT! Immerse or soak the pump at any time.

Mattress Cover

- To remove small spills or stains, wipe the mattress cover with a damp cloth that has been pre-soaked with a mild detergent or single use disinfectant wipe.
- To remove large spills or stains, the top cover should be completely removed and laundered as per below procedure:
 1. Remove top cover by unzipping all 4 x sides from the mattress base.
 2. Prewash top cover at up to 95° for 15 minutes.
 3. Main wash top cover at up to 95° for 15 minutes.
 4. Dry mattress cover prior to use by hanging up on a line/air dryer or on a low heat setting it can be tumble dried for up to 90 minutes.
 5. Once dry, reattach top cover by zipping all 4 sides back onto the mattress base.



DO NOT! Use phenol based products.



WARNING! After cleaning, the mattress must be completely dried prior to use.



WARNING! Do not dry mattress cover in direct sunlight to prevent wearing out of text on cover.

9. MAINTENANCE & STORAGE

To ensure longevity of your Alternating Mattress Replacement, it is very important that it is correctly stored and regularly maintained.

General

- Check mains power cable and plug for any abrasions or excessive wearing.
- Check mattress cover for signs of wear or damage.
- Check air hoses for any kinks or breakages .

Fuse Replacement

- Disconnect the mains power if there is a blown fuse.
- Remove the cover on the side casing of the pump.
- Remove old fuse and reinsert a new fuse, fix in place with the cover.



WARNING

WARNING! Only use fuse supplied by your Aspire Dealer, ensuring it has the correct rating and specification.

Air Filter Replacement

- Remove the cover on the rear casing of the pump.
- Remove old filter and reinsert a new filter, fix in place with the cover.

NOTE: If the filter does not require replacement, it can be cleaned by being washed gently with a mild detergent and warm water. Ensure the filter is dry prior to installing back into the pump.



WARNING

WARNING! Only use filter supplied by your Aspire Dealer, ensuring it has the correct rating and specification.


Storage


- Release all air from mattress by **OPENING CPR** valve and disconnecting the mattress hose from the pump.
- Lay the mattress out flat & roll from **HEAD** end towards **FOOT** end.
- Tighten mattress straps into clamps to prevent mattress unrolling.
- Packing strap can then be stretched around the rolled mattress to prevent unrolling.

10. TROUBLESHOOTING

PROBLEM	SOLUTION
Pump will not connect with mattress	<ul style="list-style-type: none"> Check mattress and pump are compatible, only Aspire pumps are to be used with this system Check plastic transport cap has been removed and ensure the connection is not broken If problem persists, contact your Aspire dealer
Pump not working	<ul style="list-style-type: none"> Check pump is connected to mains power Check power switch is in the ON position If problem persists, contact your Aspire dealer
Power failure	<ul style="list-style-type: none"> Check pump is connected to mains power Check power switch is in the ON position If problem persists, contact your Aspire dealer
Low pressure LED light flashing/alarm is going off	<ul style="list-style-type: none"> Check CPR valve is in CLOSED position Check air hoses/tubes are tightly secured Check all coupling connections along the mattress are secured If problem persists, contact your Aspire dealer
Pump is on but mattress will not alternate	<ul style="list-style-type: none"> Ensure the mattress is inflated Check if ALTERNATING mode is ON Check if SERVICE REQUIRED LED, if yes, contact your Aspire dealer
Alarm is sounding	<ul style="list-style-type: none"> Press mute for system to be verified If alarm continues to sound, contact your Aspire dealer
Noisy pump	<ul style="list-style-type: none"> Check pump is mounted correctly and flat against FOOT end of bed If noise persists, contact your Aspire dealer
Bottoming out but no alarm	<ul style="list-style-type: none"> Check pressure setting is correct for specific patient, adjust comfort dial according to the patient weight range table on page 16 Refer to 'Low pressure light flashing/alarm is going off' point above If the problem persists, contact your Aspire dealer

As a quick reference tool, refer to the troubleshooting sticker on the base of the Pump casing for quick solutions. Always refer to the user manual where possible.





Warning Code	Action	Warning Code	Action	Warning Code	Action
Power Failure	- Check power cable is plugged into wall - Check if power outage has occurred - Check power switch is switched to on	H,P High Pressure - Internal pressure higher than desired setting	Press mute. If warning code does not stop then please contact your Aspire Dealer or Aidacare directly on 1300 133 120	L,b Battery Failure	Press mute. If warning code does not stop then please contact your Aspire Dealer or Aidacare directly on 1300 133 120
I,F Inflation Failure - Mattress not inflated after 60mins	- Check mattress tubing is connected to pump - Check CPR Valve is CLOSED	L,P Low Pressure - Internal pressure below desired setting	- Check mattress tubing is connected to pump - Check CPR Valve is CLOSED - Check cells are connected to manifold	S System Failure	Press mute. If warning code does not stop then please contact your Aspire Dealer or Aidacare directly on 1300 133 120
A,F AutoFirm Failure	- Check mattress tubing is connected to pump - Check CPR Valve is CLOSED	U,I Air Valve Failure	Press mute. If warning code does not stop then please contact your Aspire Dealer or Aidacare directly on 1300 133 120		

11. WARRANTY & SERVICE

Aspire Active Air Acute 8 Alternating Mattress Replacements carry a comprehensive warranty as detailed below. Please keep proof of purchase for proof of warranty commencement.



Pump + Mattress

Consumer Warranty Against Defects:

Aidacare is bound by Australian Consumer Law in respect to Warranty Against Defects. A copy of the Aidacare Warranty Against Defects statement is available on the Aidacare homepage at www.aidacare.com.au. All warranty matters should be directed to Aidacare Customer Service on 1300 133 120.

Aidacare does not warrant against excessive or incorrect use, modification or any situation that could not be deemed as fair wear and tear. This is a back to base warranty and does not cover freight costs pertaining to the return of any items under warranty. Aidacare acknowledges and conforms to all ACCC guidelines around consumer rights. For further information contact Aidacare on 1300 133 120 or email product@aidacare.com.au.

Aidacare will not warrant the safety and or correct functioning of products where any original components have been changed or modified by non-Aidacare approved and trained service & maintenance staff or external providers. Furthermore, safety is not guaranteed where components have been replaced with non-original Aidacare approved parts. If any faults are detected upon receipt of this product please phone Aidacare. Any faults that are detected during normal use should be reported to Aidacare immediately to determine if warranty conditions apply and if so, the necessary repair or replacement work to be completed.

Spare parts list is available upon request.

For servicing, preventative maintenance and any other questions regarding this or any other Aidacare product please contact:

Aidacare Pty Ltd
 Building 3A, 1 Moorebank Avenue
 Moorebank NSW 2170
 T - 1300 133 120
 W - www.aidacare.com.au
 E - product@aidacare.com.au

12. SERVICE LOG BOOK

YEAR 1 Date: _____

Service Type: _____

Condition Report: _____

Action taken: _____

Inspected By: _____

Signature: _____

YEAR 2 Date: _____

Service Type: _____

Condition Report: _____

Action taken: _____

Inspected By: _____

Signature: _____

YEAR 3 Date: _____

Service Type: _____

Condition Report: _____

Action taken: _____

Inspected By: _____

Signature: _____

YEAR 4 Date: _____

Service Type: _____

Condition Report: _____

Action taken: _____

Inspected By: _____

Signature: _____

YEAR 5 Date: _____

Service Type: _____

Condition Report: _____

Action taken: _____

Inspected By: _____

Signature: _____

YEAR 6 Date: _____

Service Type: _____

Condition Report: _____

Action taken: _____

Inspected By: _____

Signature: _____

YEAR 7 Date: _____

Service Type: _____

Condition Report: _____

Action taken: _____

Inspected By: _____

Signature: _____

YEAR 8 Date: _____

Service Type: _____

Condition Report: _____

Action taken: _____

Inspected By: _____

Signature: _____

YEAR 9 Date: _____

Service Type: _____

Condition Report: _____

Action taken: _____

Inspected By: _____

Signature: _____

YEAR 10 Date: _____

Service Type: _____

Condition Report: _____

Action taken: _____

Inspected By: _____

Signature: _____



Manufactured and Imported by:

AIDACARE PTY LTD.

Building 3A, 1 Moorebank Avenue,
Moorebank NSW 2170 Australia

1300 133 120 | www.aidacare.com.au

Made in Taiwan