



aspire

SIDE FOLDING FRAME - ALUMINIUM

aspire for...

Mobility

Comfort

Support



Folds flat
for convenient
storage or
transportation



Provides
support for
those who
have difficulty
walking

Durable and
grippy
rubber tips

S.W.L
136kg

www.aspirecare.com.au
1300 133 120



Walk With Confidence

The Aspire Side Folding Frame is designed to help a person remain mobile and independent by providing support whilst walking.

Adaptable with Wheels or Skis

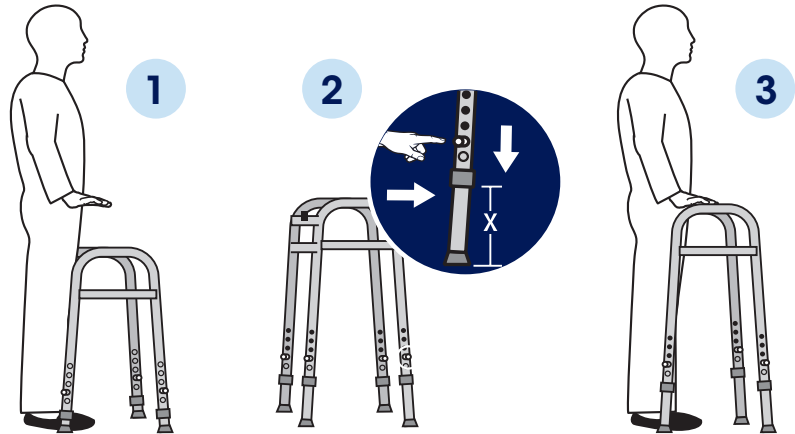
Adding wheels converts the walking frame into a wheeled walker while skis enable the back legs to glide smoothly, assisting those who may have difficulty lifting the weight of the walking frame.



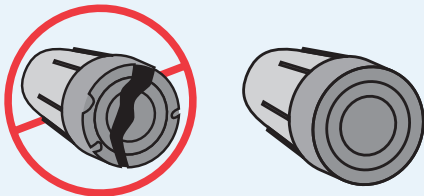
ADJUSTING THE WALKING FRAME

To determine the correct walker height:

1. Stand upright adjacent to the rear legs with arms loosely beside body, and wrists cocked forwards as if to hold the handles.
2. Depress leg pins and adjust legs so that the handle height matches with wrists.
3. Grip the handles and step forward with support.

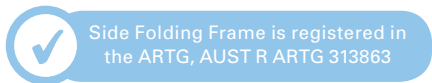


SAFETY TIP



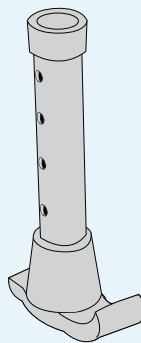
Tip Replacement

Check tips periodically and replace if worn.



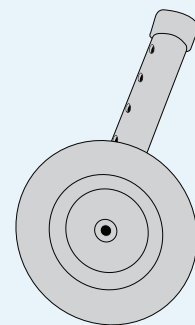
Side Folding Frame is registered in the ARTG, AUST R ARTG 313863

ACCESSORIES



Walker Skis

Attach these skis to the rear legs of the walking frame to gently glide over surfaces.



Walker Wheels

Allows natural movement for a user, minimising the need to lift the walking frame.

Code	Description	Overall Height	Overall Width	Overall Depth	Product Weight	SWL
WAF710100	Side Folding Frame - Aluminium	760 - 940mm	530mm	420mm	2.6kg	136kg
WAA686560	Walker Wheels					
WAA686550	Walker Skis					