



20/11/2020

## ASPIRE LIFTERS UPDATE!

Here's something to LIFT your mood! We've updated the design of the Aspire lifters to now use Tente castors as standard as well as changed the leg gait mechanism on some models to improve its quality and longevity.

A summary of the changes made to each lifter can be found in below table. For more details, see the accompanying brochure and following pages.

Lifter	Castors	Leg gait mechanism	Base frame
A150F	Tente	Unchanged	Unchanged
A205	Tente	Unchanged	Unchanged
200	Tente	Same as A205 (LA28)	Slightly increased leg length
200S	Tente	Same as A205 (LA28)	Same as A205
A200S	Tente	Same as A205 (LA28)	Same as A205
A320	Tente	Unchanged	Unchanged

## IMPROVED FEATURES

- **Tente castors as standard** – improved quality, reliability and longevity as well as ease of use of lifter on rough surfaces such as carpet.
- **Leg gait mechanism** - the 200, 200S and A200S now use the same leg opening actuator as the A205 lifter (LINAK LA28) without all the linkages and tie rods. This reduces spare part complexity and removes the need for a complicated mechanism.
- **Change of base frame** – the 200S and A200S lifters now share the same base frame as the A205 lifter. This was done to accommodate the leg gate actuator



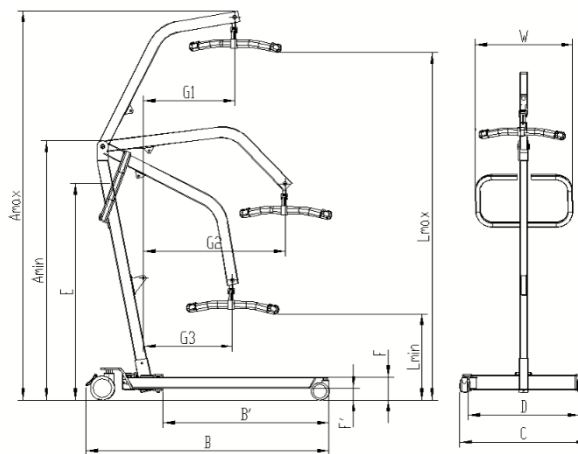
## 200 STEEL LIFTER



OLD Lifter

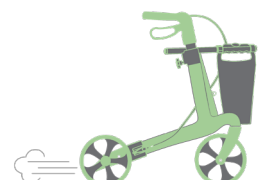


NEW Lifter



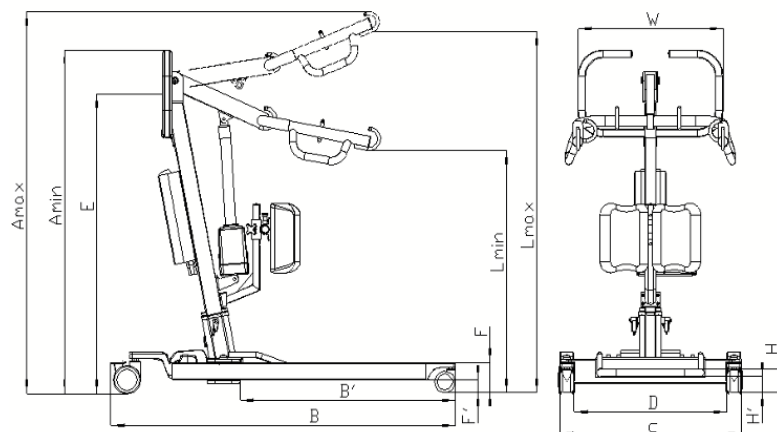
All dimensions in cm, Weight in kg

Lifter	L		A		B	B'	C	D	E	F	F'	G			W	Turning diameter
	Max	Min	Max	Min								G1	G2	G3		
	OLD	172	52	194								138	128	88.8		
NEW	172	52	194	138	132	88.8	66-112	58-104	122	11	5	58	73.5	55	53	140

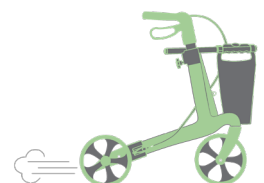


**200S STANDING LIFTER**

**OLD Lifter**

**NEW Lifter**

**All dimensions in cm, Weight in kg**

Lifter	L		A		B	B'	C	D	E	F	F'	H	H'	W	Turning diameter
	Max	Min	Max	Min											
<b>OLD</b>	174	85	179	117	115	79	66-102	58-94	103	11	5	11	6	48	126
<b>NEW</b>	178	86	183	121	128	79	66-120	56-110	105	11	5	11	6	53	136

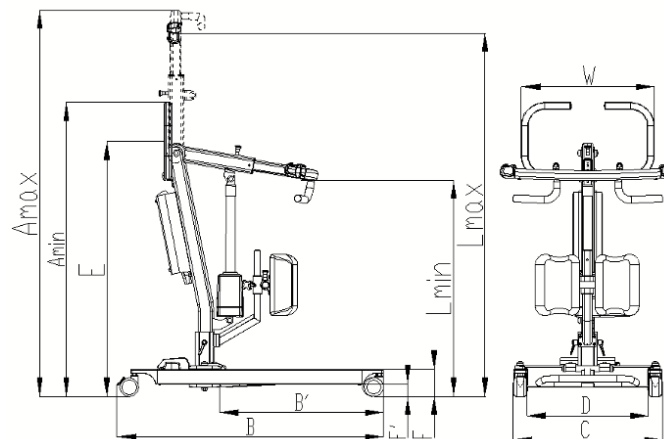


## A200S STANDING LIFTER



OLD Lifter

NEW Lifter



All dimensions in cm, Weight in kg

Lifter	L		A		B	B'	C	D	E	F	F'	W	Turning diameter
	Max	Min	Max	Min									
OLD	140	89	146	117	99	65	59-92	49-82	100	11	5	53	110
NEW	142	88	148	118	107	66	59-104	49-94	103	11	5	53	116

