

# LEVO<sup>®</sup>.dt

THE EXPERTS IN STANDING



At eye level with life

Exclusively Distributed by:



# LEVO C<sup>3</sup>

Another innovative design from LEVO – combining world renowned standing functions with a unique auto adjustable traction power base

## At eye level with life



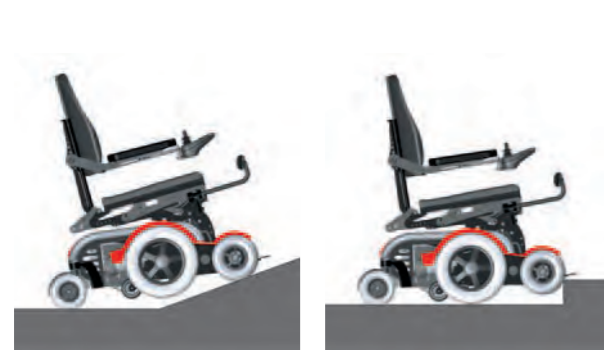
**This is LEVO:** The touch of a switch elevates you to a safe, comfortable standing position to interact with your active life. At work, in school or at home, LEVO standing wheelchairs, offer exactly what you need: Independence, Mobility, Support, Health and Quality.

Each wheelchair is designed from the experience of more than 40 years of research, development and client response. Levo is proud to offer wheelchairs that combine seating and standing positions matched to your unique biomechanical dynamics with superior maneuverability, size, weight, aesthetics and adjustability. All models are reviewed and certified by internationally approved testing institutes.



## Active, traction, innovative – quality

The powered LEVO C<sup>3</sup> is compact, agile, easy to handle and extremely powerful – perfect for active people on the move. Are curbs part of your daily commute? With the LEVO C<sup>3</sup> drive system, that turns a maneuverable mid-wheel base into a powerful, climbing 4 wheel drive action base. For in the classroom at work or home, you also have the small turning radius and agile maneuverability of a mid-wheel base. The LEVO C<sup>3</sup> incorporates a new generation advancement in the famous LEVO low shearing standing systems. Incredibly smooth transition to standing including the automatic wheel base adjustment. Now you have a front wheel drive base for unparalleled driving stability and response in the standing position.



### Power base

- 4WD: four powered wheels for superior traction and agility
- Crawls over curbs up to 10 cm
- Climbs ramps easily up to max. 10°
- Off road/rough surface traction capability
- Multiple programming options for maximum choice
- Solid, secure and safe brake action

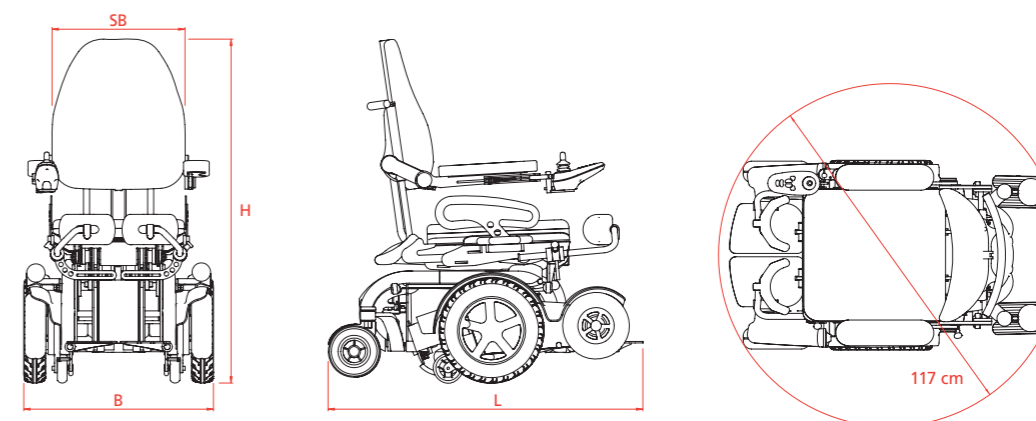
### Seating and Standing

- Automatic lengthening/matching the extension of the back and legs during transition to standing and seating. «Low shearing system»
- Engineered chairs and biomechanics in all seating and standing positions
- Low seat height for transfers and driving under tables
- Easy adjustment to individual body measurements
- Numerous health benefits due to more frequent standing

Power over curbs with the innovative LEVO C<sup>3</sup>

## Highlights

- User-friendly, simple handling
- Maximum safety in all positions
- Compact maneuverability for tight spaces
- Small dimension, compact transport volume
- High battery capacity
- Individually and manually adjustable for upper and lower leg, foot position and back angle
- Seat width 32 up to 52 cm
- User weight up to 140 kg
- Easy accessibility for maintenance and service updates



### Technical Data

Model	C3
Aidacare Code	PWC655400
	S – XL
Seat width (SB)	32/36/40/44/48/52
Total width (B)	63
Total length (L)	110
Total height (incl. V-Trak 41 cm) (H)	100
Seat height (w/o seat cushion)	48 or 54
Seat plate depth	35 – 63
Arm rest height	15 – 36
Turning circle	117
Speed	6/8/10 km/h
Range (with 48Ah Batteries)	25 km
Max. safe slope	10°
Curb climbing ability	10
Max. chair weight	185 kg
Max. user weight	140 kg
Transport volume max.	96x63x69

### Standard configuration

E/E Wheelchair with 4 active wheels and «Low shearing system», seat support plate, quick release for seat depth, lower leg length and back angle, seat height 46 cm, V-Trak Axxis back, flip-up armrests (adjustable for height, angle and width), VR2 control system of PG-Drives Technology with 48 Ah batteries, flip-up footrest to the side and backwards with non slip surface, knee support removable (adjustable in height, depth, angle and width), vehicle tie-down locations

### Options / Accessories

Knee support integrated, Tilt in Space 0 – 35°, Swing away joystick, Foam cushion with cover, swing away table tray, upper leg support, chest role, Lights and indicators, ...many more on request

### Colors

4 standard colors (blue, red, yellow, black) and 190 other color options

All measurements in cm and kg.  
Discrepancies in the measurements may arise due to wheelchair modifications.

# LEVO Summit EL

The next generation of the LEVO LCEV - Delivering exceptional performance and style

## Inspired Swiss design Innovative "ABC" standing The first truly active standing wheelchair



**This is LEVO:** combining 40 years of market leading standing experience LEVO is proud to introduce its new "best in class" manual standing wheelchair line.

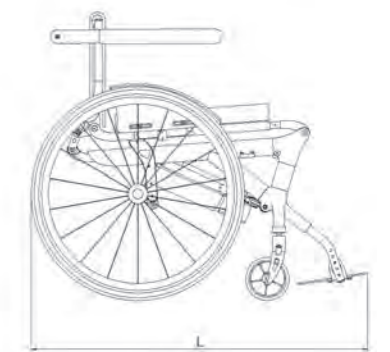
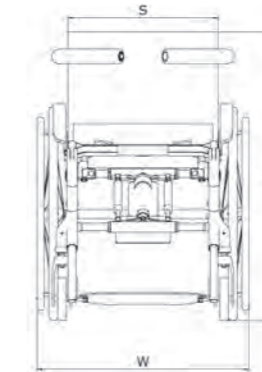


Our new innovative design delivers the features of an active wheelchair and state of the art standing technology, allowing you to reach the perfect standing position, from any seating position you choose.

The **LEVO Summit** combines the lowest stand-up wheelchair weight with the highest user capacity in the market.

### Highlights:

- Weight of just 21 kg
- Weight capacity max. 125 kg
- Automatic backrest compensation "ABC" for ergo correct standing
- Compact active driving
- Easily configurable and convertible to individual needs
- Converts from manual/manual to manual/electric
- Easy transfer
- Easy transport



### Technical Data

Model	Summit
Aidacare Code	MWC450100
	<b>S-L</b>
Seat width (SW)	35 / 38 / 40 / 42 / 45 / 48 / 50
Total width (W)	Seat width + 16 cm
Total length (L)	Seat depth + 43 cm
Total height (H) min.	Seat height + 30 cm
Backrest upholstery height	32 - 38 cm
Seat height	48 / 50 / 52 / 54
Seat depth	35 - 55 with 2 cm increments
Footrest	height and angle adjustable
Total weight	21 kg
Batteries	24 Volt, 2.9 Ah Li-Ion

# LEVO compact- easy LCEV

The high performance manual  
wheelchair with power standing  
technology

## LEVO compact-easy LCEV

### At eye level with life

**This is LEVO:** The touch of a switch elevates you to a safe, comfortable standing position to interact with your active life. At work, in school or at home, LEVO standing wheelchairs, offer exactly what you need: Independence, Mobility, Support, Health and Quality. Each wheelchair is designed from the experience of more than 30 years of research, development and client response. LEVO is proud to offer wheelchairs that combine seating and standing positions matched to your unique biomechanical dynamics with superior maneuverability, size, weight, aesthetics and adverbility, size, weight, aesthetics and adjustability. All models are reviewed and certified by internationally approved testing institutes.

#### Participate in an active life

You are active and want a wheelchair that fits you and enhances your life. The LEVO LCEV is your answer. It combines an active, agile wheelchair and life enriching standing at the touch of a switch. The quiet, reliable actuator smoothly moves you to and through any and all angles from the seated position to a full 86° standing position. Anyplace, anytime have the choice of where you want to be in the joy of an active life with a LEVO LCEV!

#### Wheelchair characteristics

- Agile, Active, Compact
- Excellent driving characteristics indoor and outdoor
- Convenient quick release rear wheels, front castors and a folding backrest for easy vehicle transport
- Simple and fast adjustment for individual preferences
- Accessories to build your personalized chair



#### Seating and Standing mechanism

- Electrical standing unit: operated by the touch of a switch, engages powerful actuator
- Different switches available for people with all levels of hand and finger function
- Complete standing position up to 86°
- Sit, Stand – and anywhere in between
- Six ground stability points ensure solid and secure standing position
- Electric actuator standing – smooth, stable, safe
- Optimal and matched body mechanics in all seating and standing positions
- Numerous health benefits because of more frequent standing

Use the LEVO LCEV everywhere, every day



# LEVO Stands for a better quality of life



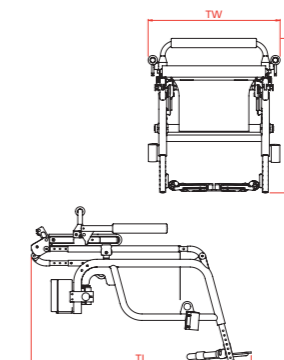
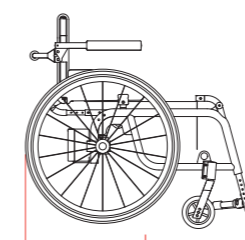
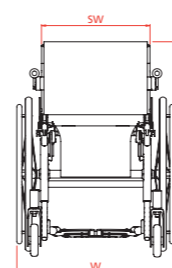
## To be part of no limitations for a life full promise

Your child is active and wants to reach up and be part of it all. The LEVO Kid & Junior is their partner in play, in learning, in growing to their full potential. Like your child, the LEVO Kid & Junior is lively and fun with special abilities. Different seating positions and standing up to 86° offers a high degree of independence and flexibility. Easy adjustable growth plates, a wide range of accessories and options let the LEVO Kid & Junior smoothly grow with your child for many years.

LEVO compact-easy LCEV

### Highlights

- Smooth standing and positioning movement
- Compact, maneuverable, light
- Safe and secure stand-up operation elevating to any and all angles between sitting and 86° standing
- Switch activation and switch option for all levels of hand/finger function
- Adjustable for upper and lower leg length, foot position and back height
- Six ground stability points ensure solid and secure standing position
- User weight up to 120 kg
- Wide range of different options and accessories
- Multiple color option
- Certificates: TÜV, CERAH, HI, FDA/510(k), Crash Test



### Technical Data

Model	LCEV		Kid & Junior	
	S-M	L-XL	Kid	Junior
Aidacare Code	MWC450300		MWC450400	
Seat width (SW)	35/38/40/42/45/48/50		30/35	
Total width (W)	53/56/58/60/63/66/68		49/54	
Total length (L)	84-90	93-104	69-72	77-83
Total height (incl. Backrest) (H)	80		55	66
Backrest upholstery height min.	31		28	
Seat upholstery height front	48/51/54/57		33	40/44
Seat upholstery depth	29-42	43-57	24-40	
Footrest	Height and angle adjustable			
Total weight (w/o detachable parts)	25 (19)	26 (20)	17 (12)	19 (14)
Rear wheels	22" / 24" / 26"		16"	20" / 22"
Batteries	2 Batteries à 12V/2,7 Ah			
Transport dimensions max. (TLxTWxTH)	98 x 60 x 45		62 x 45 x 43	

Discrepancies in the measurements may arise due to wheelchair modifications. All measurements in cm and kg.

### Standard configuration

Armrests folding upwards and height and angle adjustable, folding down backrest angle adjustable, battery and charger, chest belt and knee support

### Options/accessories LCEV

Foam seat cushion, Anti-tip rollers, Tip aid, Backrest extension, Push handles, Push handle extension, Swing away chest support, Spinergy wheels, Cam-ber, Spoke guard, V-Trak back, ... many more on request

### Options/accessories Kid & Junior

Growth kit seat width 30 to 35 cm, Growth kit Kid to Junior Height adjustable stroller handle, Attendant control for stand-up operation, Anti-tip devices, Table tray, Seat cushion, Back rest extension 6 to 16 cm, V-Trak back, Spin-ergy wheels, ... many more on request

### Colors

5 standard colors (platinum, red, yellow, blue, black) and 190 other color options

# LEVO combi

The Mid-Wheel power wheelchair with stand-up function and complete seating systems

## At eye level with life

**This is LEVO:** The touch of a switch elevates you to a safe, comfortable standing position to interact with your active life. At work, in school or at home, LEVO standing wheelchairs, offer exactly what you need: Independence, Mobility, Support, Health and Quality. Each wheelchair is designed from the experience of more than 40 years of research, development and client response. LEVO is proud to offer wheelchairs that combine seating and standing positions matched to your unique biomechanical dynamics with superior maneuverability, size, weight, aesthetics and adjustability. All models are reviewed and certified by internationally approved testing institutes.



# LEVO combi / combi jr

# LEVO Stands for a better quality of life

## Enjoy the environment: one wheelchair everywhere, everyday

You need power mobility but you want a customized chair that fits into your everyday life and environment. Welcome to the LEVO combi mid-wheel power base: a design that maximizes maneuverability, turning radius and overall traction for life's ups and downs. The seating system on the power base is the best combination of seated, stand and recline offered in the industry. You can even transition directly from full recline to full standing – smoothly, securely and stop

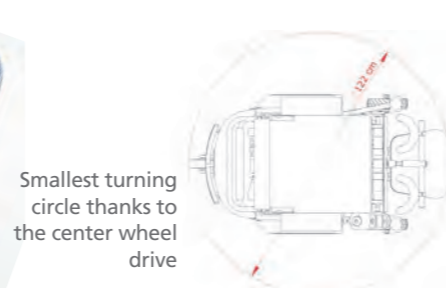
anywhere in between. In any position you can engage the world with power mobility – move, turn, reverse – all while in any of the multiple and customized seating positions that you choose for your chair. The LEVO combi easily maneuvers within your home, your work, indoors, outdoors, all while ensuring stability, safety, multiple seating and standing positions to enhance and extend quality of life.



Back and knee adjustment to reduce shear



Intelligent control system of PG-Drive Technology



Smallest turning circle thanks to the center wheel drive

### Seating/Standing

- Precisely engineered chair design for exceptionally smooth and low shear transition between all standing and seating functions
- Standing, seat- and back angle adjustment, seat lift, tilt, recline
- Customized match to individual body mechanics and chair design
- Numerous health benefits because of more frequent standing

### Power base

- Compact size and weight with excellent power maneuverability, response and traction
- Center wheel drive provides for the smallest turning circle
- Stable and safe driving in seated or standing position (automatic program for controlled standing speed.)
- Safely and effectively climbs and descends ramps up to 10°
- Multiple programming options for maximum choice
- Whisper quiet drive and seating operation

### simply attend to...

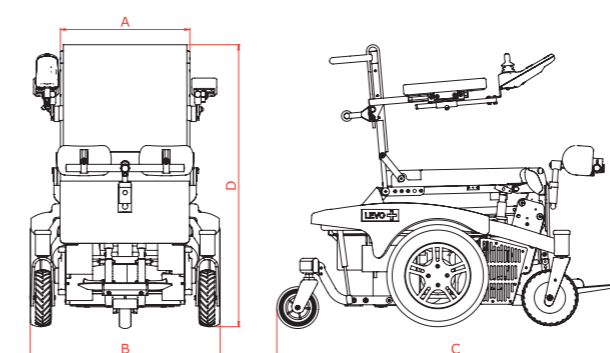
The powered LEVO combi jr means secure and active support for your child. The extremely agile power wheelchair optimizes participation into all of your child's opportunities and activities. School – Home – Play. Like the adult version, the LEVO combi jr has multiple power seating systems including the LEVO-designed and industry leading standing capability. (Your child can drive the LEVO combi jr even while in the standing position.) Easy adjustable growth plates, components and a wide range of accessories and options let the LEVO combi jr smoothly grow with your child for many years.



Use the LEVO combi everywhere, everyday

## Highlights

- User-friendly, simple handling
- Smooth seat/standing positioning movement
- Compact maneuverability for tight spaces
- Safe and secure stand-up operation elevating to any and all angles between sitting and 85° standing
- Adjustable for upper and lower leg, foot position and back angle
- Max. user weight up to 120 kg
- Wide range and style of options, accessories and control switches
- Multiple color options
- Easy accessibility for maintenance and service updates
- Certificates: TÜV, CERAH, HI, FDA/510(k), Crash Test



### Technical Data

Model	combi	combi jr
Aidacare Code	PWC655600	PWC655500
	S – M	L – XL
		XS – S
Seat width (A)	38 / 44 / 50	30 / 35 / 38
Total width (B)	65	65
Total length (C)	121	121
Total height (incl. Backrest upholstery) (D)	93 – 108	93 – 108
Seat height (with seat cushion)	50 – 65	50 – 65
Seat upholstery depth	29 – 42	40 – 53
Armrest height	17 – 25	15 – 33
Back height (with standard backrest upholstery)	43	43
Foot rest height	37 – 58	23 – 47
Turning circle	122	122
Speed	6 / 8 / 10 km/h	6 / 8 km/h
Range	25 km	25 km
Max. safe slope	10°	10°
Curb climbing ability	8	8
Max. chair weight	170	170
Max. user weight	120	120
Transportdimension	93 x 66 x 67	93 x 66 x 67

All measurements in cm and kg. Discrepancies in the measurements may arise due to wheelchair modifications.

### Standard Configuration

- Backrest upholstery
- Flip-up armrests, height adjustable
- Flip-up footrest
- Knee support and chest strap
- Length adjustment backrest and height adjustment armrest
- Manual seat height adjustment
- Powered stand-up function
- Powered driving in sitting and standing
- Powered lying-standing direct function if option reclining included
- Set of batteries and charger
- PGDT controller R-net

### Options/Accessories

- Swing away joystick
- Lights and indicators
- V-Trak back system
- V-Trak head and thoracic support
- Powered seat lift 15 cm
- Powered reclining backrest / legrest
- Foam seat cushion
- Assorted knee supports and footrest wedges
- Chest role
- Table tray
- Skirt guard
- Vehicle tie-down kit
- Push handle bar
- ... many more on request

### Colors

- 3 standard colors red, blue, black and 190 more color Options



# LEVO active- easy LAE

The high performance manual  
wheelchair with standing  
technology

LEVO active-easy LAE

## At eye level with life

**This is LEVO:** The touch of a lever elevates you to a safe, comfortable standing position to interact with your active life. At work, in school or at home, LEVO standing wheelchairs, offer exactly what you need: Independence, Mobility, Support, Health and Quality.

Each wheelchair is designed from the experience of more than 30 years of research, development and client response. LEVO is proud to offer wheelchairs that combine seating and standing positions matched to your unique biomechanical dynamics with superior maneuverability, size, weight, aesthetics and adjustability. All models are reviewed and certified by internationally approved testing institutes.



**LEVO**.<sup>dt</sup>  
THE EXPERTS IN STANDING

LEVO stands for a better quality of life

Exclusively Distributed by:

 **aidacare**  
HEALTHCARE EQUIPMENT

# LEVO active-easy LAE



## Versatile, active, choice

You have an active life and want a wheelchair that keeps up with you and meets your demands. No matter the place or situation, the LEVO LAE guarantees you maximum mobility and response with its advanced action radius. Add the opportunity to sit, stand or position at all the angles in between and you are ready to elevate at work, sit for dinner or join your friends at the bar. With the LEVO LAE you choose the extent – and level – of participation.

### Wheelchair characteristics

- Agile, active. Quick response
- Excellent driving characteristics indoor and outdoor
- Convenient quick release rear wheels, front castors and a folding backrest make for easy vehicle transport
- Simple and fast adjustment for individual preferences
- Accessories to build your personalized chair



### Seating and Standing design

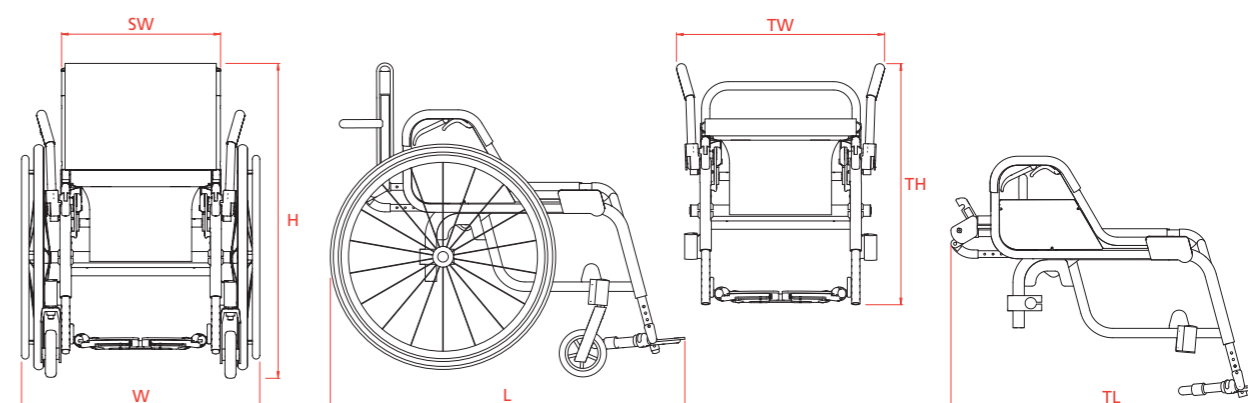
- Complete standing position up to 85°
- Sit, Stand – and anywhere in between
- Six ground stability points ensure solid and secure standing position
- Gas springs move you to controlled positioning through easy one hand operation
- Optimal and matched body mechanics in all seating and standing positions
- Numerous medical benefits because of more frequent standing

Use the LEVO LAE everywhere, every day

# LEVO Stands for a better quality of life

## Highlights

- Smooth standing and positioning movement
- Excellent driving characteristics
- Easy and safe to handle
- Transport friendly
- Aluminum light weight
- Adjustable for upper and lower leg length, foot position and back height
- Seat width from 35 – 48 cm
- Seat depth up to 54 cm
- User weight up to 120 kg
- Multiple color options
- Certificates: TÜV, CERAH, HI, FDA/510(k), Crash Test



### Technical Data

Model	LAE	
Aidacare Code	MWC450200	
	S – M	L – XL
Seat width (SW)	35/38/40/42/45/48	
Total width (W)	57/60/62/64/67/70	
Total length (L)	84 – 90	93 – 104
Total height (incl. backrest) (H)	80	
Backrest upholstery height min.	31	
Seat upholstery height front	48/51/54/57	
Seat upholstery depth	29 – 42	43 – 57
Footrest	height and angel adjustable	
Total weight (without removable parts)	18 (13)	
Rear wheels	22"/24"/26"	
Transport dimensions max. (TL x TW x TH)	98 x 64 x 50	

Options/Accessories
Foam seat cushion
Anti-tip rollers
Tip aid
Backrest extension
Push handles
Push handle extension
Spinergy wheels
Camber
Spoke guard
V-Trak back
... many more on request

Colors
5 standard colors (blue, red, yellow, platinum, black) and 190 other color options

All measurements in cm and kg. Discrepancies in the measurements may arise due to wheelchair modifications.

LEVO<sup>®</sup> of   
THE EXPERTS IN STANDING

P: 1300 133 120  
W: [www.aidacare.com.au](http://www.aidacare.com.au)  
E: [casewholesale@aidacare.com.au](mailto:casewholesale@aidacare.com.au)

Exclusively Distributed by:

